



**Unit Model #: 56651201**

**Mower:** Spartan

**Owner's Manual:** Q0564

**Mower Type:** RT-Pro, RT-HD, SRT-XDe & SRT-XD (Check for Mower's w/ Oil Guard, will need A2325)

**Deck Size:** 54"

**Vac Type:** Pro 12

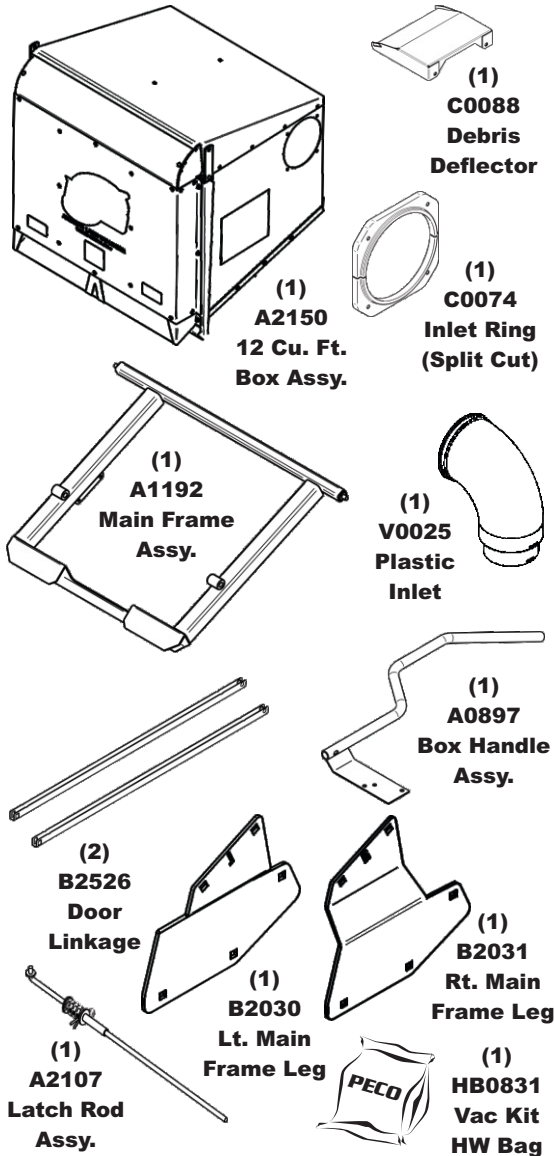
**Deck Type:**

**Drive Type:** PTO-X Driven

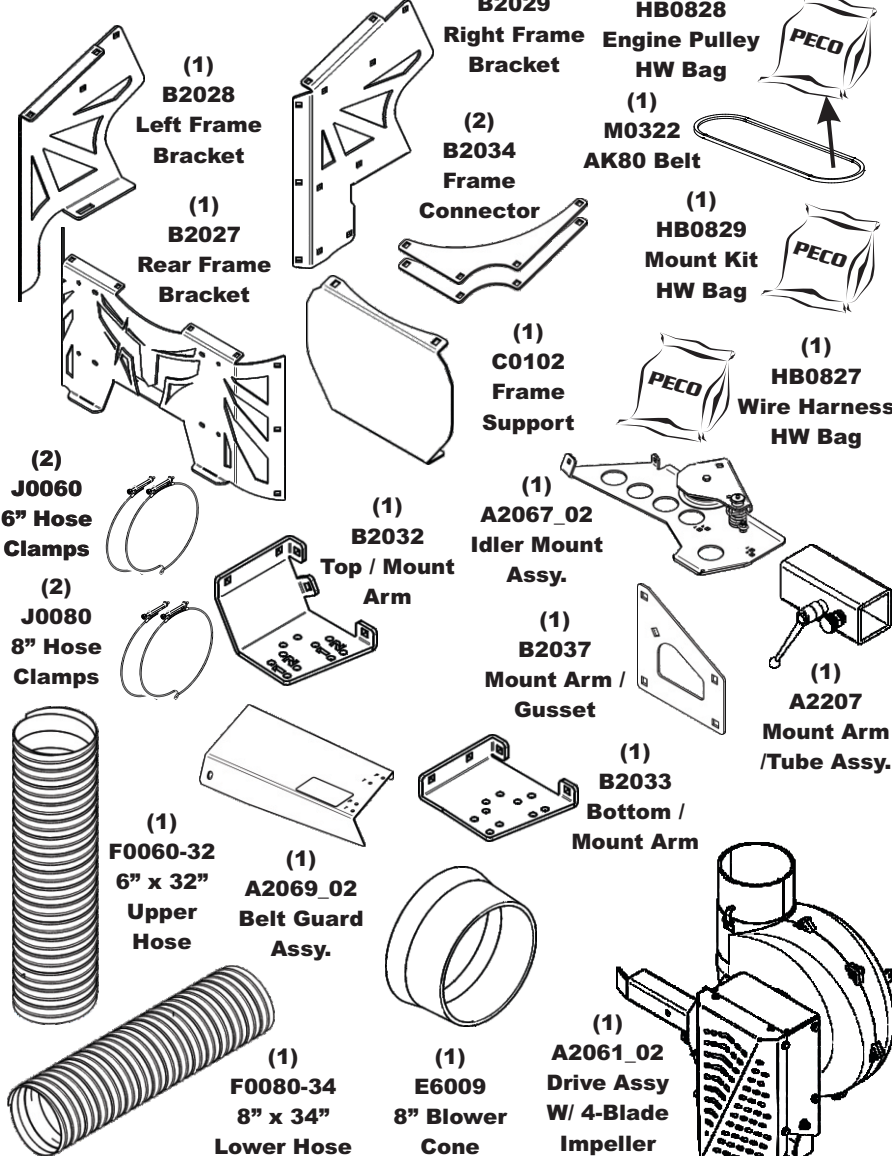
**Revision #:** 0

**Fits Year(s):** 2018 & Newer

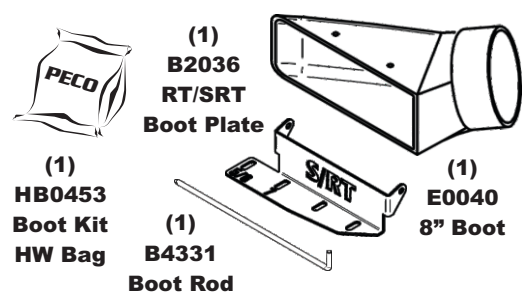
**A2316 Vac Kit**



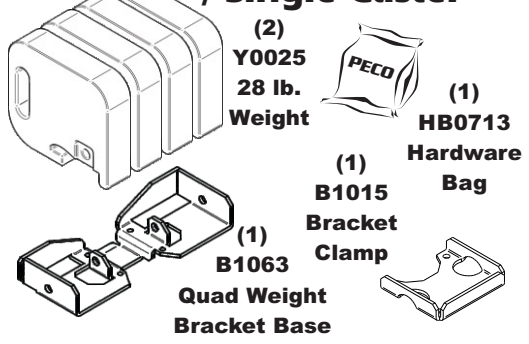
**A2323 Mount Kit**



**A2313 Boot Kit**



**A2162 Quad Weight Kit / Single Caster**



**A2121 Dual Weight Kit / Single Caster**

