



Unit Model #: A2244 (629JP-001A)

Mower: Country Clipper

Owner's Manual: Q0521

Mower Type: XLT

Deck Size: 48" & 52"

Vac Type: P2B+

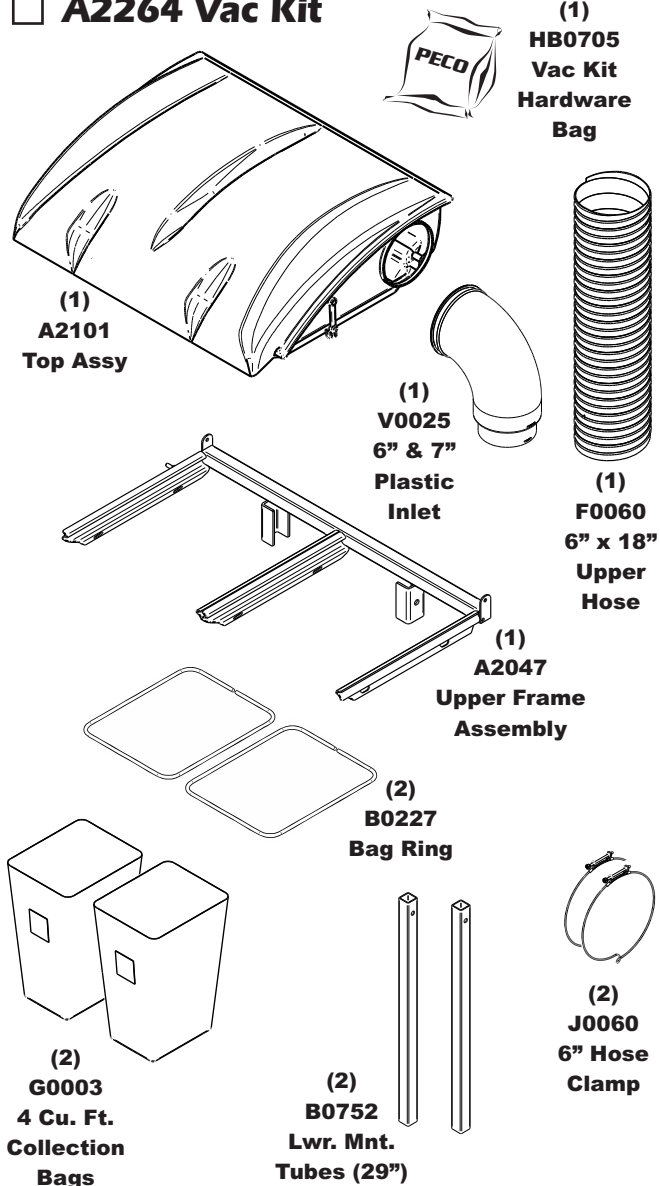
Deck Type:

Drive Type: PTO-R

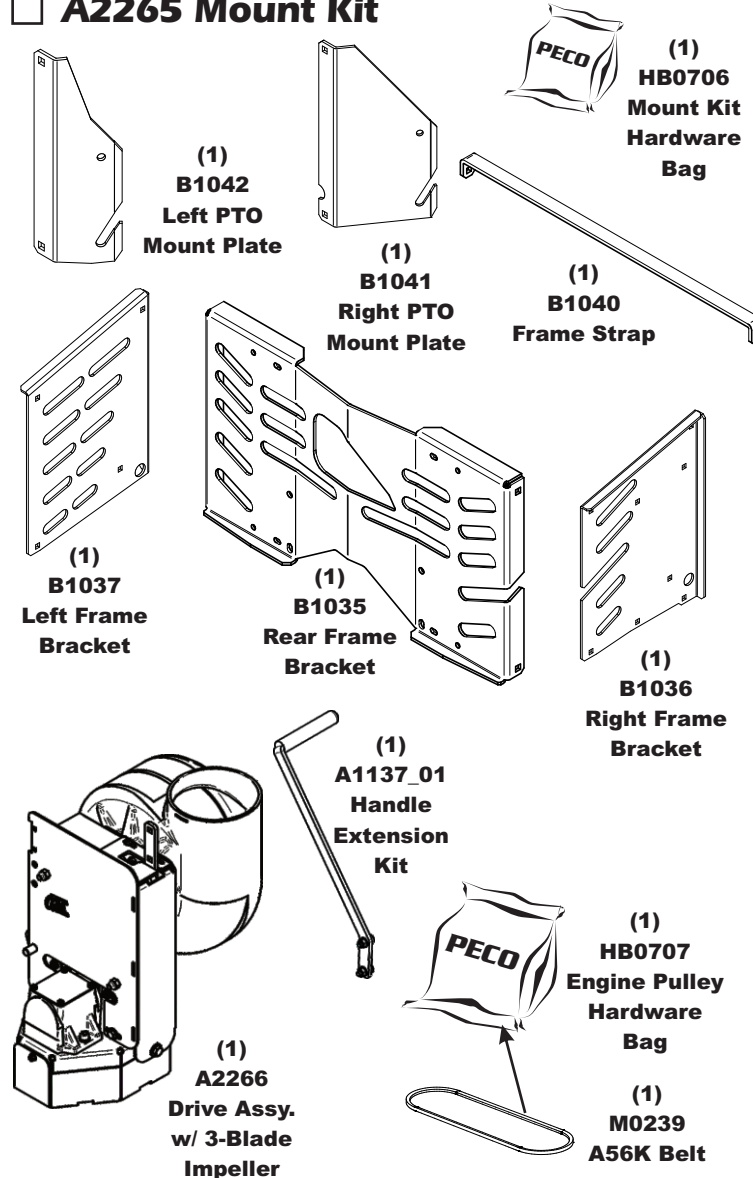
Revision #: 7/2/19 - Initial Release

Fits Year(s): 2018-Newer

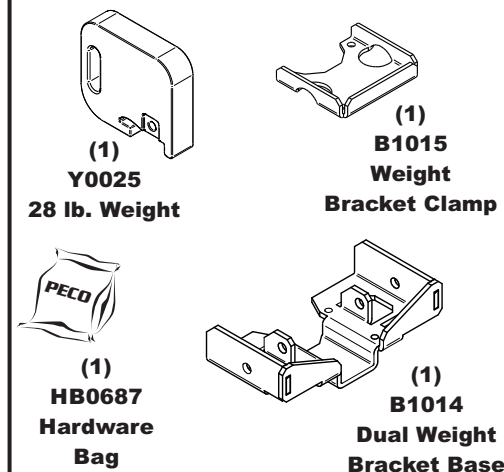
☐ A2264 Vac Kit



☐ A2265 Mount Kit



☐ A2157 Single Weight Kit/ Single Caster



☐ A2157 Single Weight Kit/ Single Caster

