



Unit Model #: 38131508 / 07131501

Mower: Dixie Chopper BlackHawk HP / Jacobsen ZT600

Owner's Manual: Q0515

Mower Type: 2248KW, 2548KOE, 2454KW, 2554KOE, 2460KW & 2560KOE

Deck Size: 48", 54" & 60"

Vac Type: 15 Cubic Foot Pro 3 Bagger

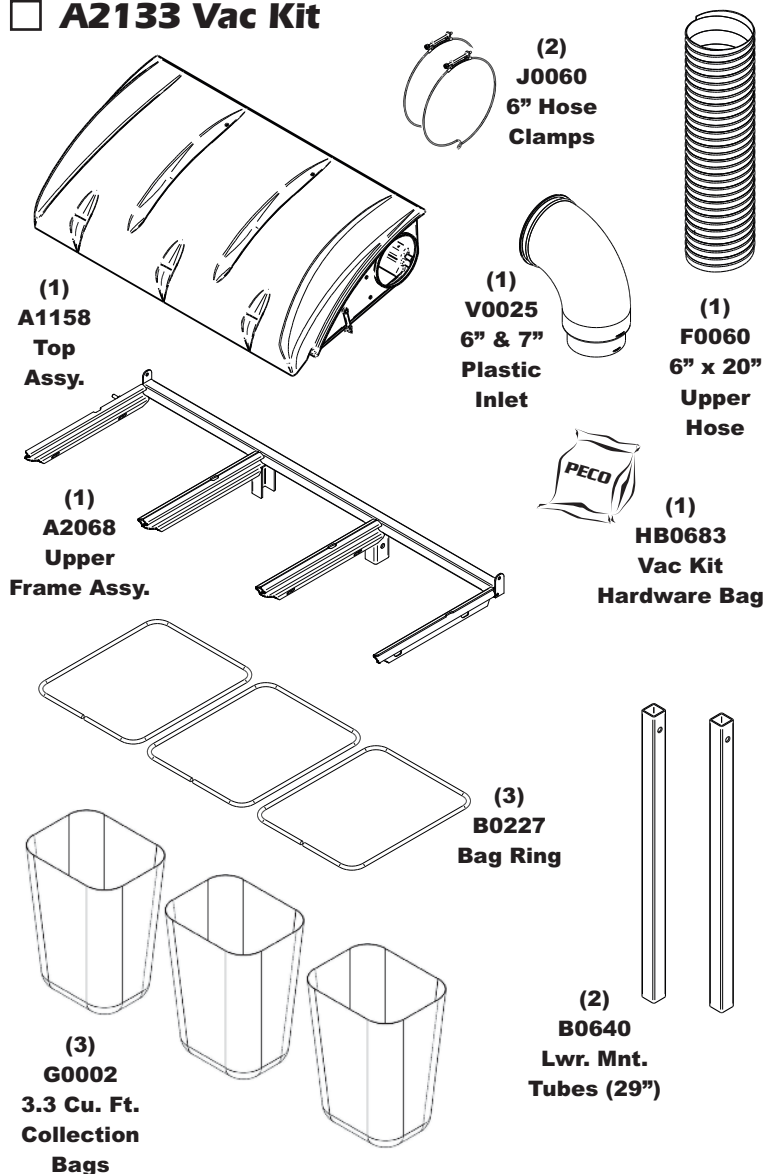
Deck Type:

Drive Type: PTO Drive

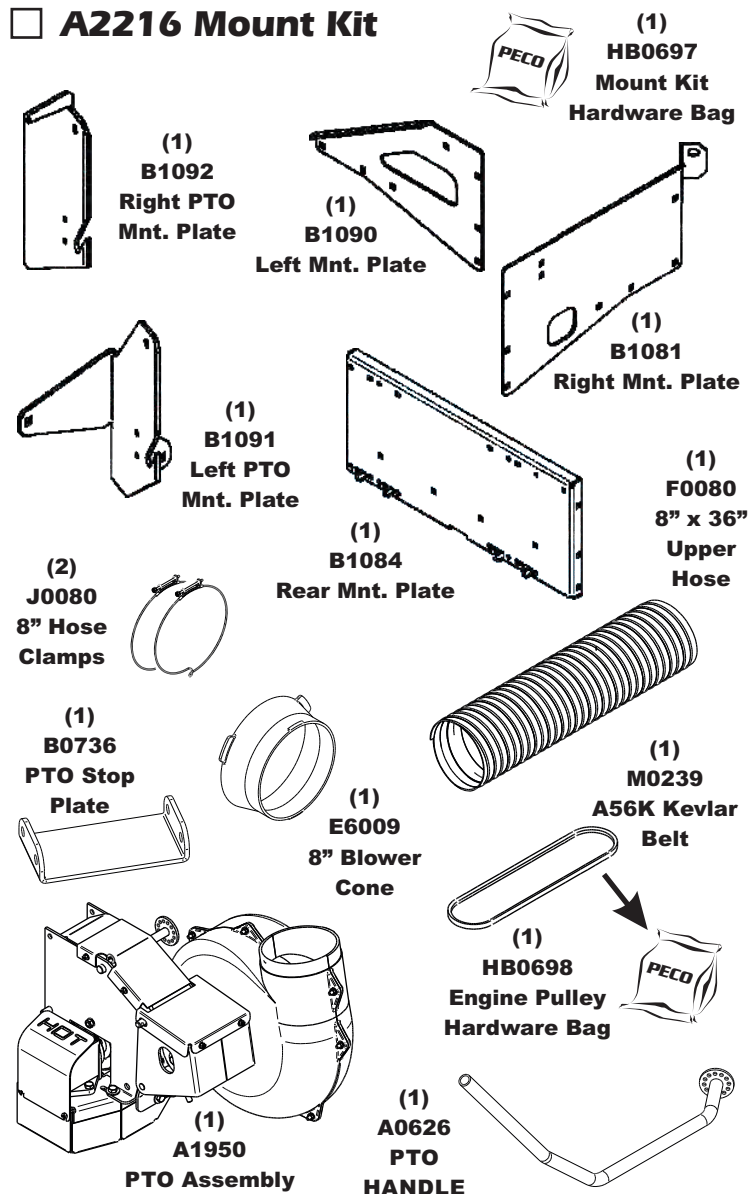
Revision #: 2 (Updated Mount Kit)

Fits Year(s): 2016 - 2018

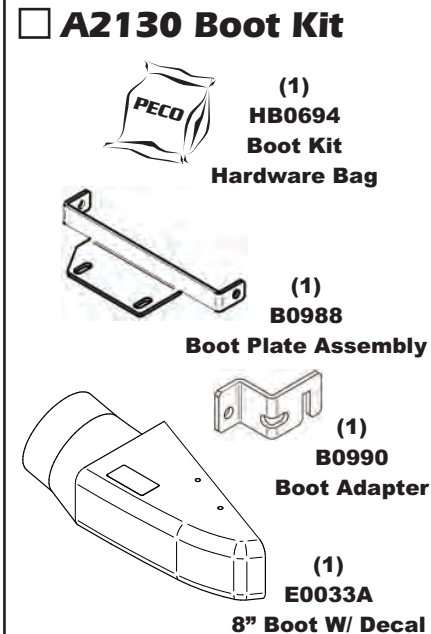
A2133 Vac Kit



A2216 Mount Kit



A2130 Boot Kit



A2131 Weight Kit

