



Unit Model #: 38621245

Mower: Dixie Chopper

Owner's Manual: Q0510

Mower Type: XCaliber 3160KW, 3360EFI, 3566KW
3366EFI

Engine Type: KW FX31, KW FX33 and KH EFI33

Deck Size: 60" & 66"

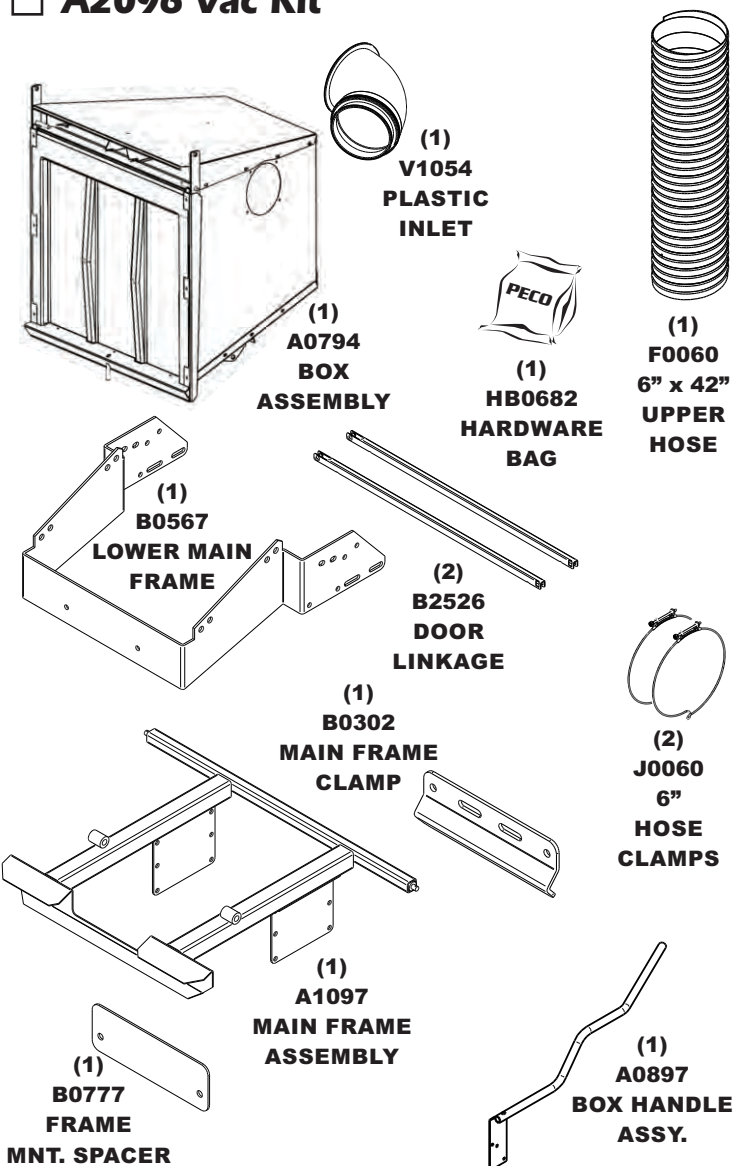
Vac Type: 12 Cu. Ft. Pro 12 DFS

Revision #:

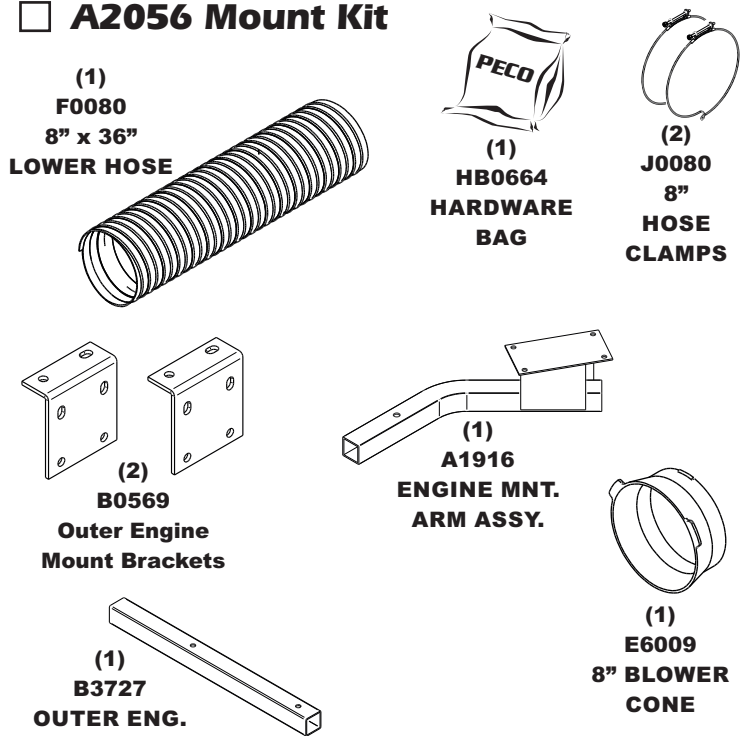
Drive Type: Briggs & Stratton 6.5HP Vanguard

Fits Year(s): 2015-2019

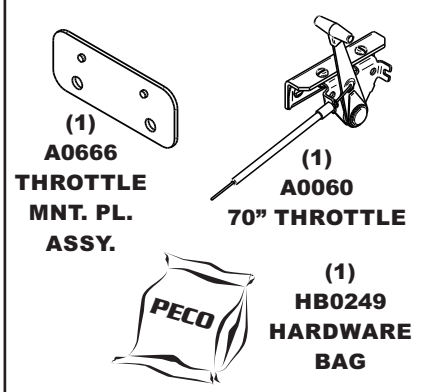
A2096 Vac Kit



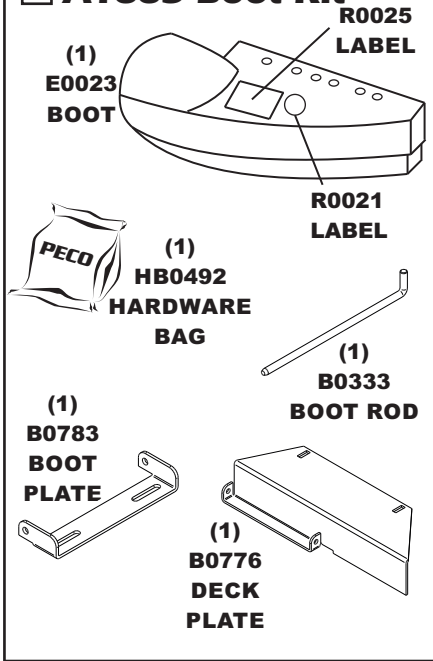
A2056 Mount Kit



A0619 Throttle Kit



A1883 Boot Kit



A1878 Weight Kit

