



PTO DRIVEN - GRASS COLLECTION SYSTEM

Model# 48120904

MODEL YEAR:
2015-NEWER

Maverick & ZT Elite

48", 54" & 60" DECKS



● **ASSEMBLY** ●

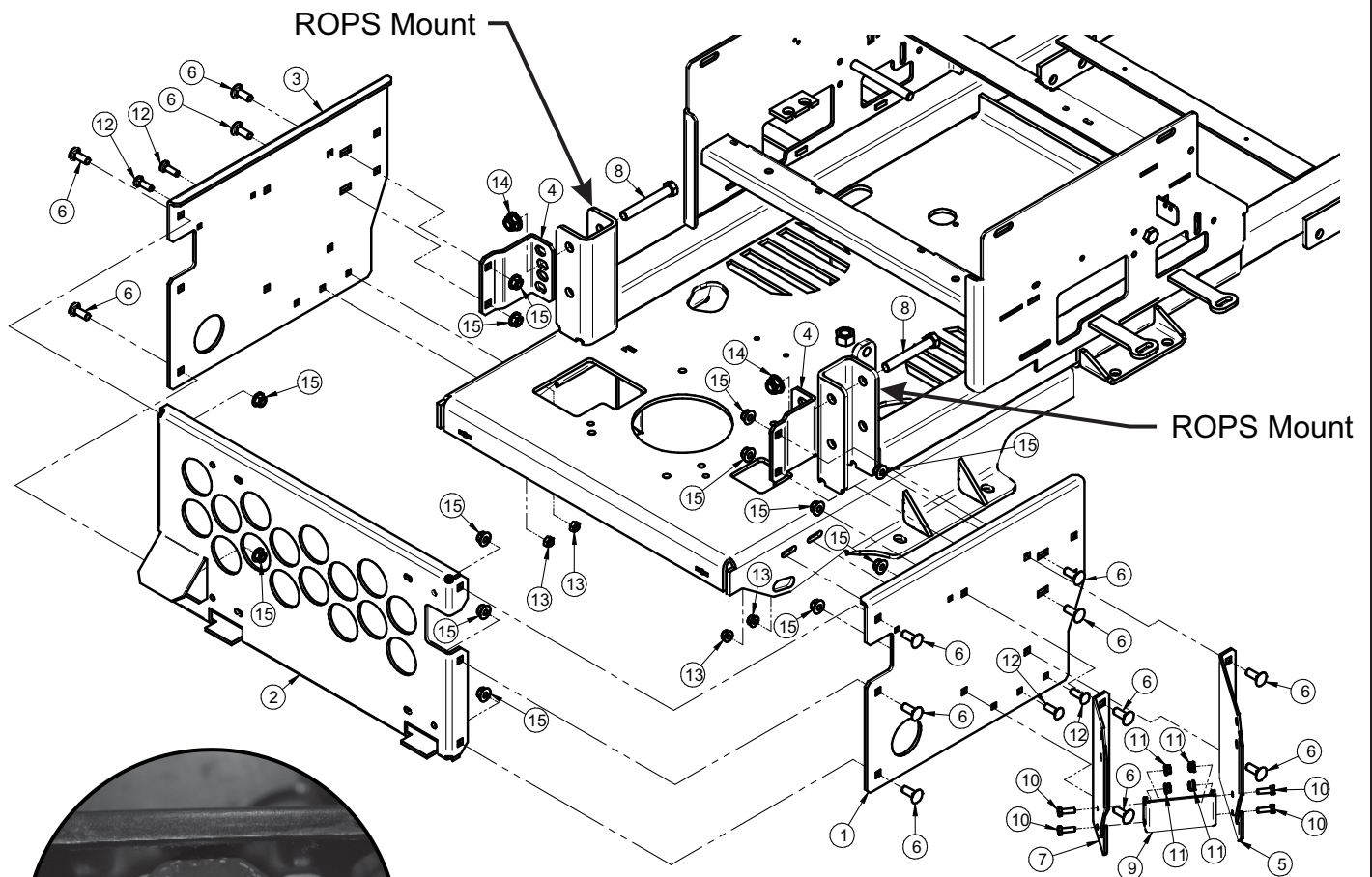
Preparation of Mower

Please refer to the Operation and Maintenance Manual Page 6 for detailed instructions.

Drive Kit Installation

**Use The Following Diagram
If ROPS Mount Is Welded
To Mower's Chassis**

Item #	Part #	Desc.	Qty.
1	B8193	Right Frame Bracket	1
2	B8195	Rear Frame Bracket	1
3	B8194	Left Frame Bracket	1
4	B1023	ROPS Mnt. Brkt.	2
5	B8197	Right PTO Mnt. Pl.	1
6	K1182	Carriage Bolt 3/8"-16 x 1"	13
7	B8196	Left PTO Mnt. Pl.	1
8	K0547	1/2"-13 x 3-1/2" All Thread HHCS GR8	2
9	B0733	PTO Stop Pl.	1
10	K1222	1/4"-20 X 3/4" HHCS	4
11	K2014	1/4"-20 Ny-Flange Lock Nut	4
12	K1144	5/16"-18 x 1" Carriage Bolt	4
13	K2516	Ny-Flange Lock Nut 5/16"-18	4
14	K2012	1/2"-13 Ny-Flange Lock Nut	2
15	K2038	Ny-Flange Lock Nut 3/8"-16	13

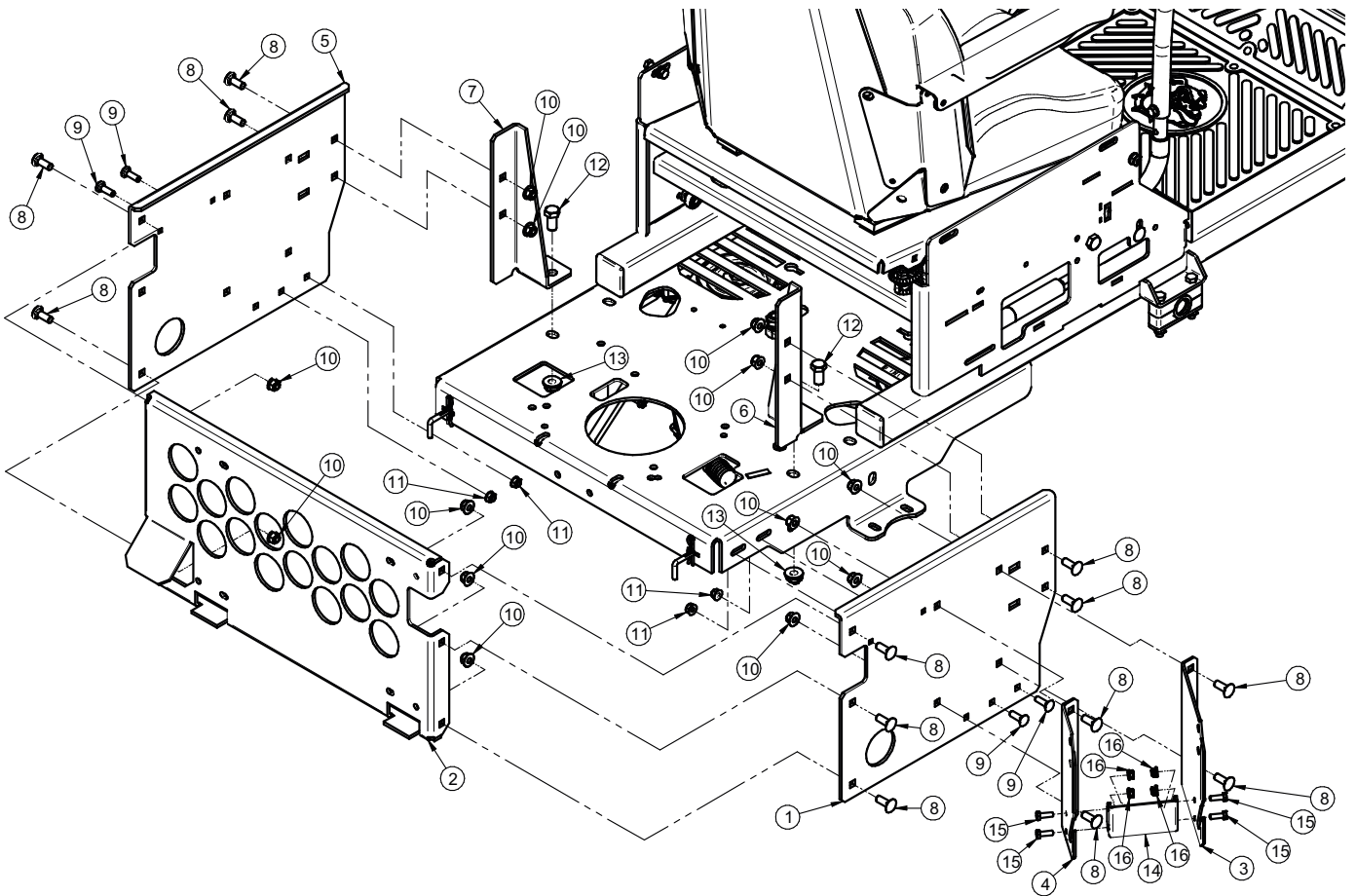


If Applicable;
Fluid Reservoirs Can Be Reattached
To Right And Left Frame Brackets Using
Existing Hardware.

Drive Kit Installation (Continued)

**Use The Following Diagram
If No ROPS Is Being Used
On Mower's Chassis**

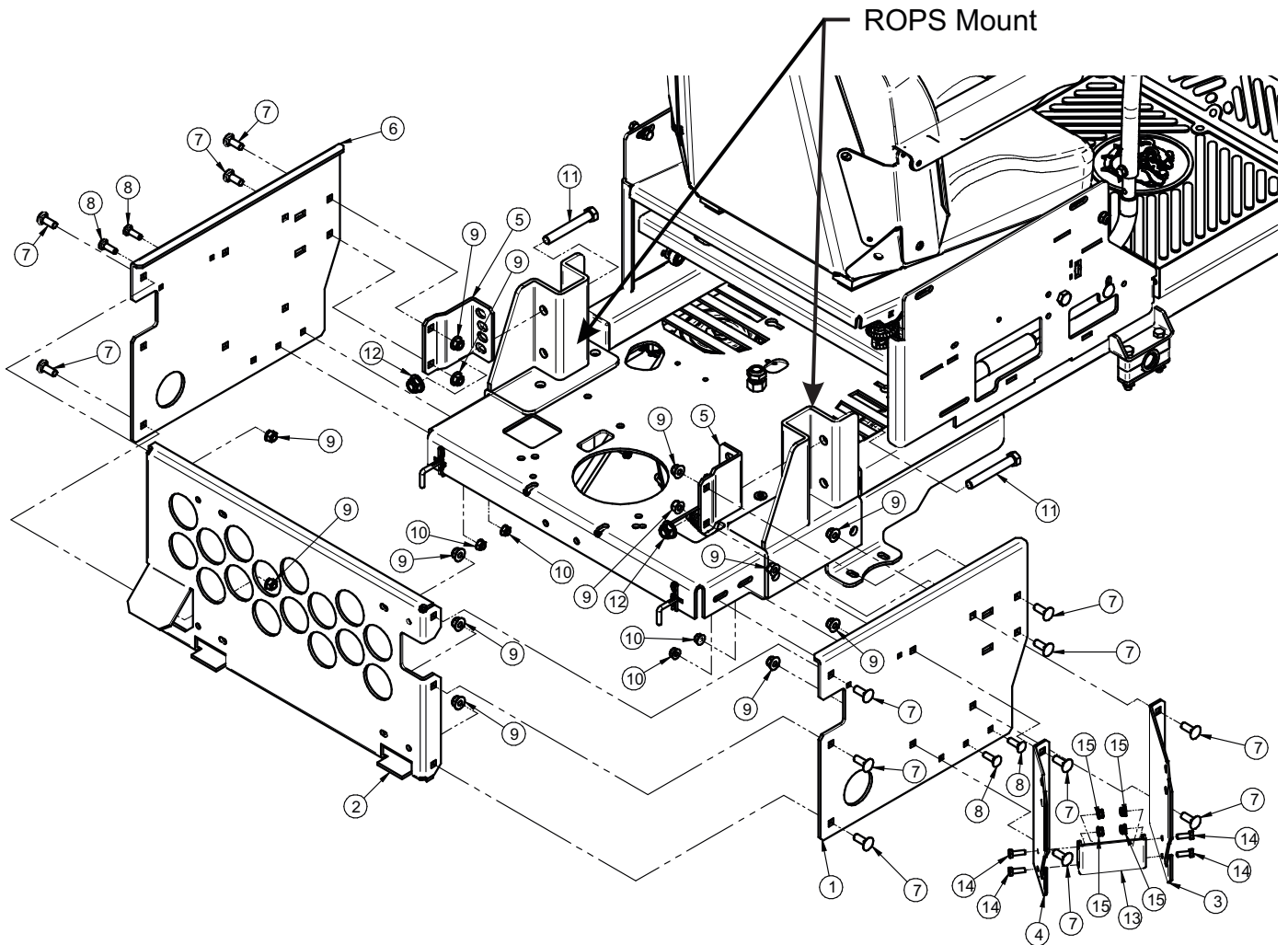
Item #	Part #	Desc.	Qty.
1	B8193	Right Frame Bracket	1
2	B8195	Rear Frame Bracket	1
3	B8197	Right PTO Mnt. Pl.	1
4	B8196	Left PTO Mnt. Pl.	1
5	B8194	Left Frame Bracket	1
6	B1025	Right Frame Gusset	1
7	B1024	Left Frame Gusset	1
8	K1182	Carriage Bolt 3/8"-16 x 1"	13
9	K1144	5/16"-18 x 1" Carriage Bolt	4
10	K2038	Ny-Flange Lock Nut 3/8"-16	13
11	K2516	Ny-Flange Lock Nut 5/16"-18	4
12	K1231	1/2"-13 x 1" HHCS	2
13	K2012	1/2"-13 Ny-Flange Lock Nut	2
14	B0733	PTO Stop Pl.	1
15	K1222	1/4"-20 X 3/4" HHCS	4
16	K2014	1/4"-20 Ny-Flange Lock Nut	4



Drive Kit Installation (Continued)

**Use The Following Diagram
If ROPS Mount Is Bolted
To Mower's Chassis**

Item #	Part #	Desc.	Qty.
1	B8193	Right Frame Bracket	1
2	B8195	Rear Frame Bracket	1
3	B8197	Right PTO Mt. Pl.	1
4	B8196	Left PTO Mt. Pl.	1
5	B1023	ROPS Mnt. Brkt.	2
6	B8194	Left Frame Bracket	1
7	K1182	Carriage Bolt 3/8"-16 x 1"	13
8	K1144	5/16"-18 x 1" Carriage Bolt	4
9	K2038	Ny-Flange Lock Nut 3/8"-16	13
10	K2516	Ny-Flange Lock Nut 5/16"-18	4
11	K0547	1/2"-13 x 3-1/2" All Thread HHCS GR8	2
12	K2012	1/2"-13 Ny-Flange Lock Nut	2
13	B0733	PTO Stop Pl.	1
14	K1222	1/4"-20 X 3/4" HHCS	4
15	K2014	1/4"-20 Ny-Flange Lock Nut	4



Boot Kit Installation

Step 1 - Remove the mower's grass deflector.

Step 2 - Secure the boot plate to the aluminum boot using (2) 3/8"-16 x 1" carriage bolts P#(K1182) and (2) 3/8"-16 nylon flange locknuts P#(K2038). Insert the carriage bolts from the inside of the boot so the threads are on the top of the boot. This will prevent grass clippings from collecting on the threads. Leave the hardware loose until the boot plate has been attached to the mower deck.

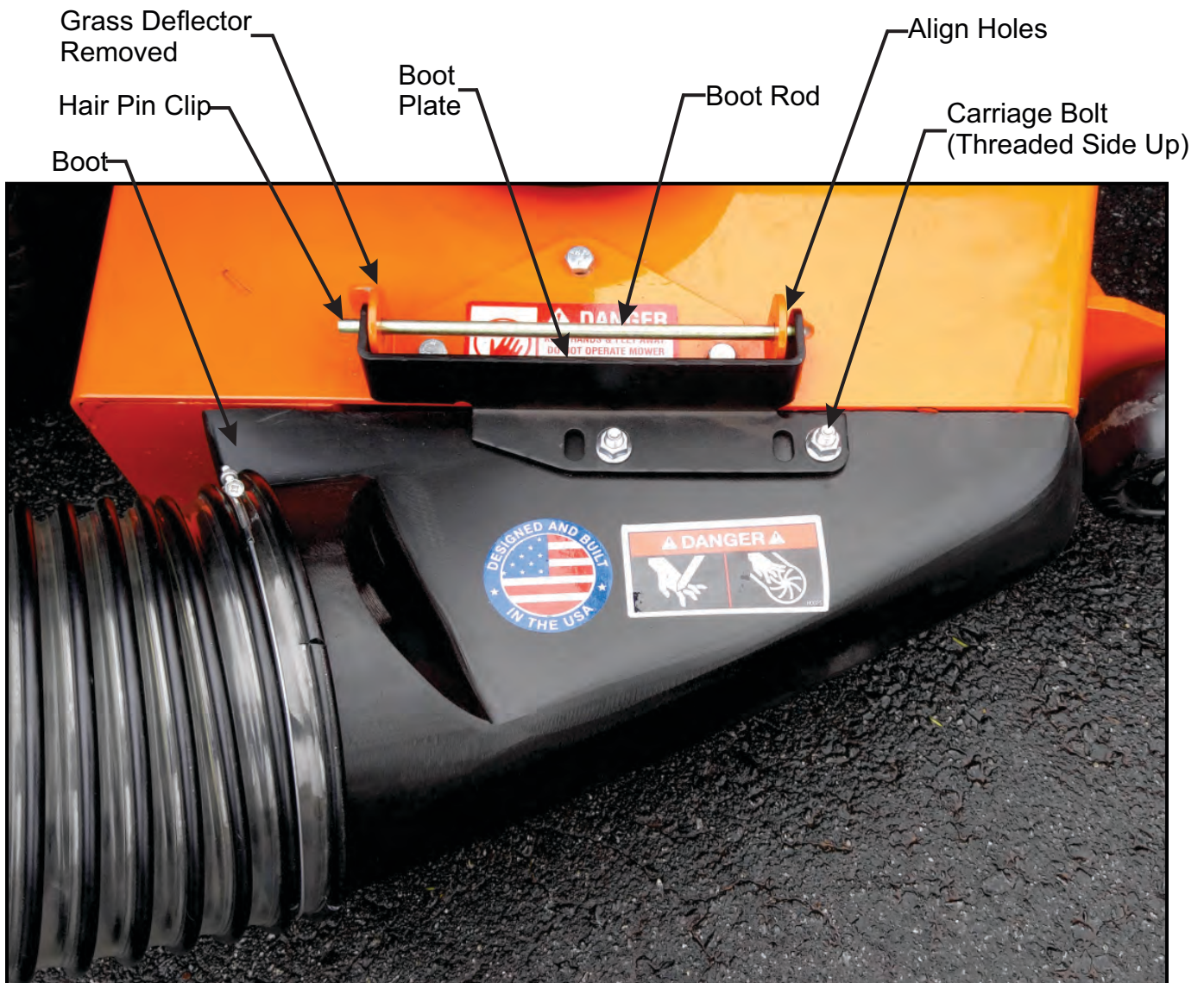
Step 3 - Align boot plate holes to grass deflector mounting holes.

Step 4- Insert boot rod through boot plate holes and grass deflector mounting holes as shown below.

Step 5 - Secure the boot rod using a hair pin clip.

Step 6 - With the boot carriage bolts still loose, adjust the position of the boot so that there is no gap between the mower deck and the boot.

Step 7 - Tighten the hardware at this time.



Weight Kit Installation / Left Caster

Step 1 - Position (#2) Base Under Caster Tubing w/ Opening Towards Caster Fork.

Step 2 - Position (#3) Clamp On Top Of Caster Tubing w/ Opening Towards Caster Fork.

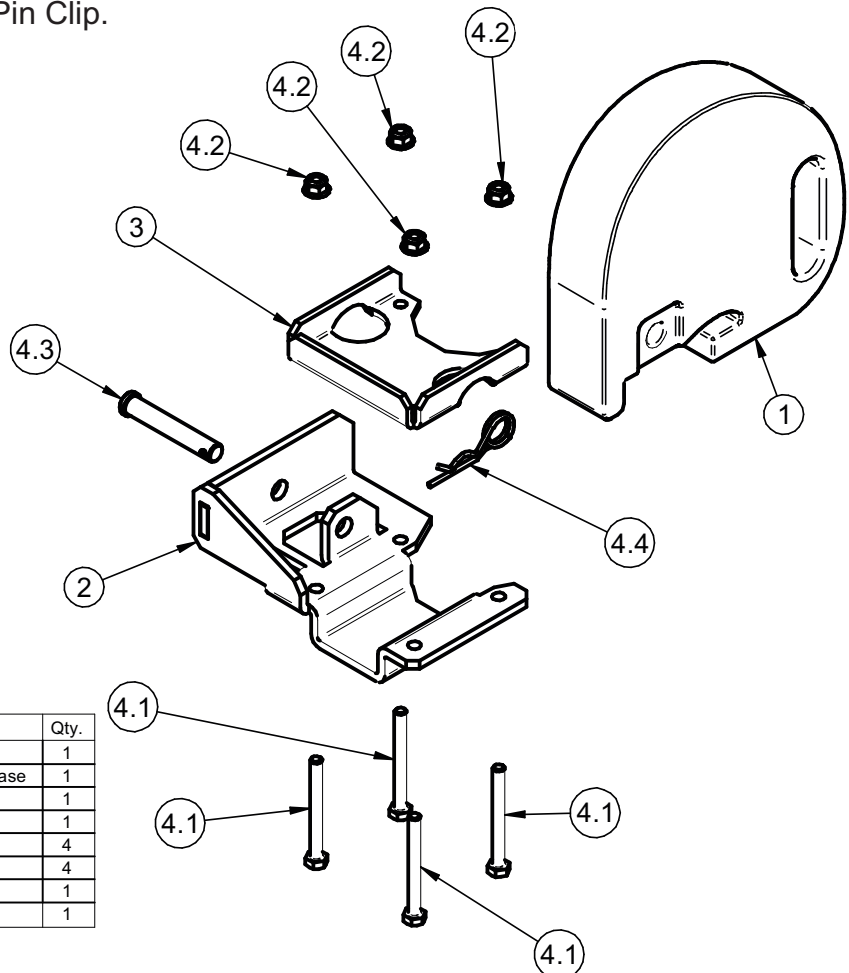
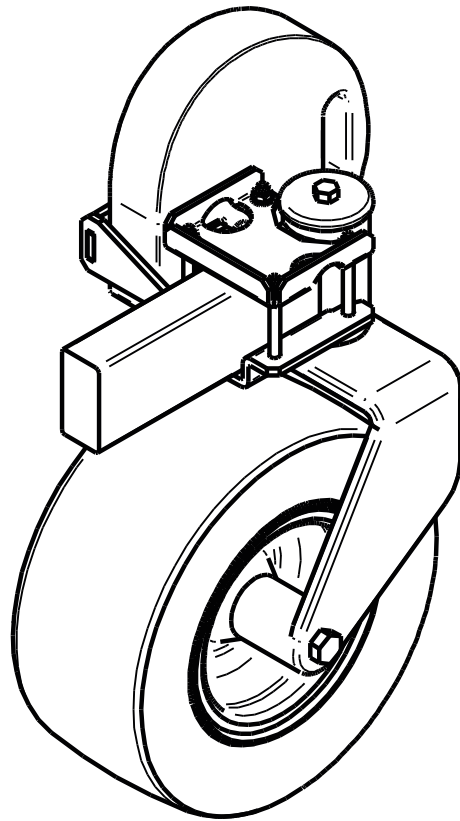
Step 3 - Align (4) Holes In (#3) Clamp To Holes In (#2) Base

Step 4 - Loosely Fasten (#3) Clamp To (#2) Base Using (4) (#4.1) 5/16"-18 x 3" Bolts & (4) (#4.2) 5/16"-18 Ny-Flange Lock Nuts.

Step 5 - Position (#2 & #3) Assembly Along Caster Tubing To Prevent Interference From Caster Forks Or Any Other Objects. Tighten Fasteners In An 'X' Pattern Until Assembly Is Firmly Clamped To Caster Tubing. Do Not Over tighten Resulting In Bending (#3) Clamp.

Step 6 - Insert (#1) Weight Into (#2) Base & Align Hole In Weight w/ Holes In (#2) Base.

Step 7 - Fasten (#1) Weight To (#2) Base Using (1) (#4.3) Clevis Pin & (1) (#4.4) Hair Pin Clip.



Item #	Part #	Desc.	Qty.
1	Y0025	28 lb. Suitcase Weight	1
2	B1021	Single Weight Bracket / Left Caster / Base	1
3	B1015	Weight Bracket / Clamp	1
4	HB0686	Single Weight Kit Hardware Bag	1
4.1	K1472	HHCS 5/16"-18 x 3" GR5	4
4.2	K2516	Ny-Flange Lock Nut 5/16"-18	4
4.3	K1473	Clevis Pin 1/2" x 3"	1
4.4	K1478	Hair Pin Cotter / Double Loop	1

Weight Kit Installation / Right Caster

Step 1 - Position (#2) Base Under Caster Tubing w/ Opening Towards Caster Fork.

Step 2 - Position (#3) Clamp On Top Of Caster Tubing w/ Opening Towards Caster Fork.

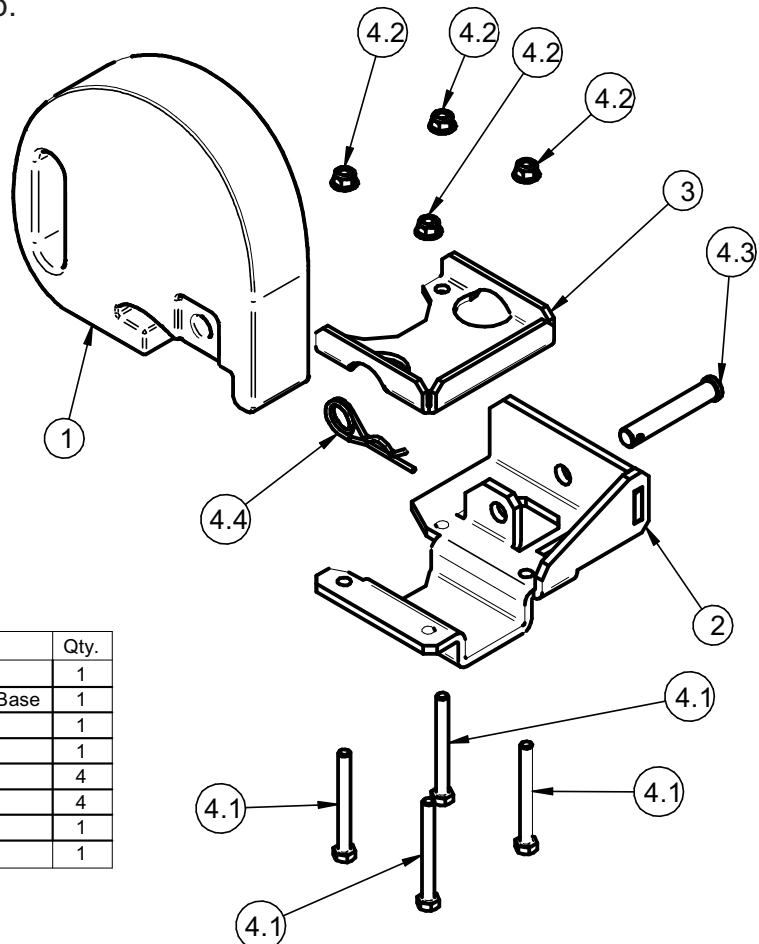
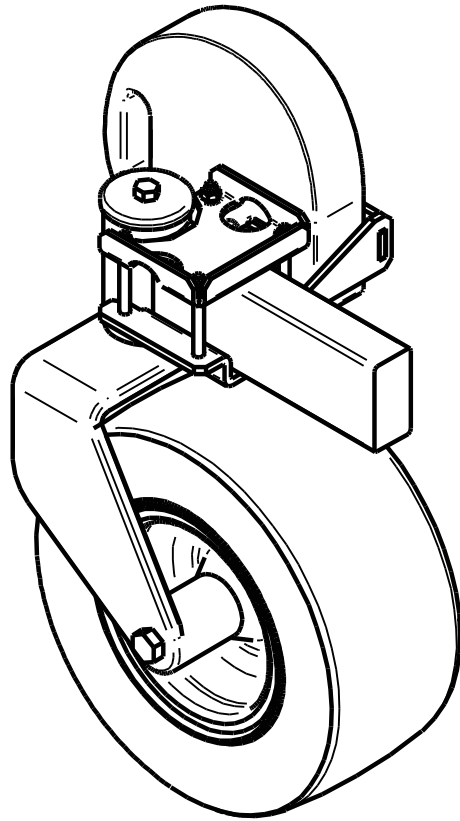
Step 3 - Align (4) Holes In (#3) Clamp To Holes In (#2) Base

Step 4 - Loosely Fasten (#3) Clamp To (#2) Base Using (4) (#4.1) 5/16"-18 x 3" Bolts & (4) (#4.2) 5/16"-18 Ny-Flange Lock Nuts.

Step 5 - Position (#2 & #3) Assembly Along Caster Tubing To Prevent Interference From Caster Forks Or Any Other Objects. Tighten Fasteners In An 'X' Pattern Until Assembly Is Firmly Clamped To Caster Tubing. Do Not Over tighten Resulting In Bending (#3) Clamp.

Step 6 - Insert (#1) Weight Into (#2) Base & Align Hole In Weight w/ Holes In (#2) Base.

Step 7 - Fasten (#1) Weight To (#2) Base Using (1) (#4.3) Clevis Pin & (1) (#4.4) Hair Pin Clip.



Item #	Part #	Desc.	Qty.
1	Y0025	28 lb. Suitcase Weight	1
2	B1022	Single Weight Bracket / Right Caster / Base	1
3	B1015	Weight Bracket / Clamp	1
4	HB0686	Single Weight Kit Hardware Bag	1
4.1	K1472	HHCS 5/16"-18 x 3" GR5	4
4.2	K2516	Ny-Flange Lock Nut 5/16"-18	4
4.3	K1473	Clevis Pin 1/2" x 3"	1
4.4	K1478	Hair Pin Cotter / Double Loop	1

PTO Assembly Installation

Please refer to the Operation and Maintenance Manual Page 7 for detailed instructions.

Belt Installation / Removal & Adjustment

Please refer to the Operation and Maintenance Manual Page 7 for detailed instructions.

Blower Cone Installation

Please refer to the Operation and Maintenance Manual Page 8 for detailed instructions.

Lower Mount Tube Installation

Please refer to the Operation and Maintenance Manual Page 9 for detailed instructions.

Upper Frame Assembly Installation

Please refer to the Operation and Maintenance Manual Page 9 for detailed instructions.

Top Assembly To Upper Frame Assembly Installation

Please refer to the Operation and Maintenance Manual Page 10 for detailed instructions.

Inlet Installation

Please refer to the Operation and Maintenance Manual Page 10 for detailed instructions.

Even Bag Fill Adjustment

Please refer to the Operation and Maintenance Manual Page 11 for detailed instructions.

Hose Installation / Adjustment

Please refer to the Operation and Maintenance Manual Page 12 for detailed instructions.

Impeller Blade Removal / Replacement

Please refer to the Operation and Maintenance Manual Page 13 for detailed instructions.

Bag Installation

Please refer to the Operation and Maintenance Manual Page 14 for detailed instructions.



Unit Model #: 48120904

Mower & Type: Bad Boy Maverick & ZT Elite Series

Mower Models: 4800, 5400 & 6000

Mower Deck Size: 48", 54" & 60"

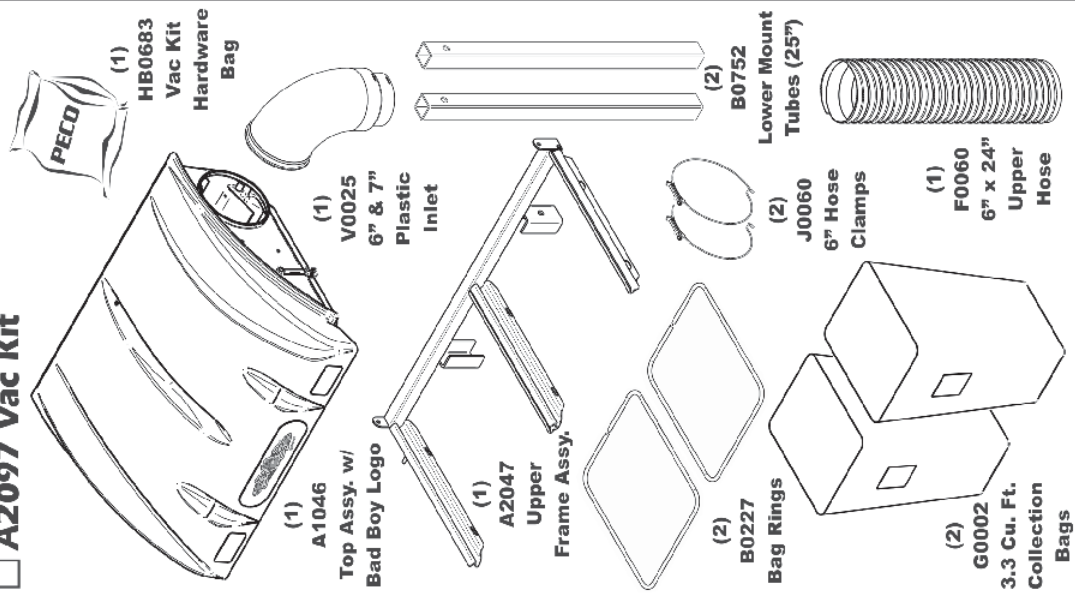
Owner's Manual: Q0511

Revision #: First Release 4/4/2017

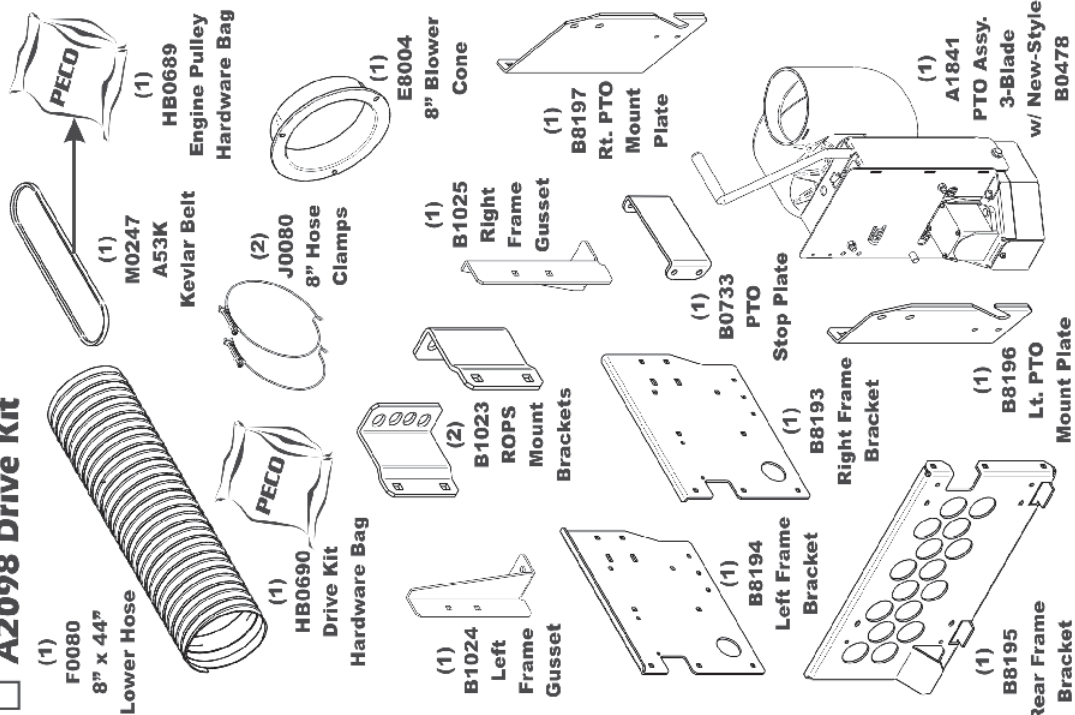
Vac/Drive Type: P2B+ (6.6 Cu. Ft.) PTO Driven

Fits Year[s]: 2015 & Newer

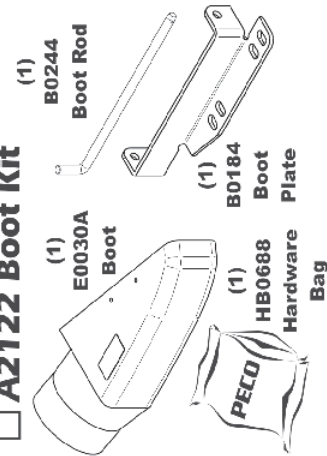
A2097 Vac Kit



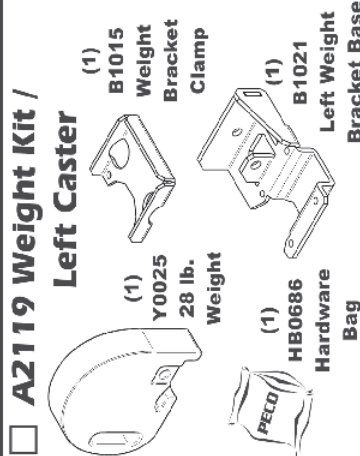
A2098 Drive Kit



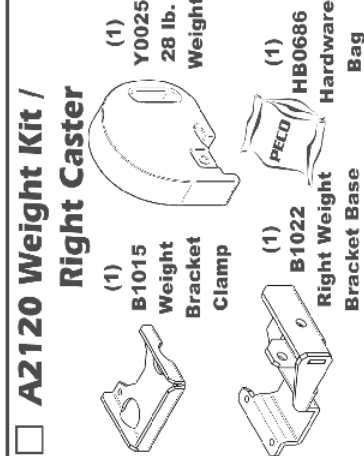
A2122 Boot Kit



A2119 Weight Kit / Left Caster



A2120 Weight Kit / Right Caster





New PECO, Inc.
10 Walden Drive | Arden, North Carolina 28704
Phone: 1-800-438-5823 | 828-684-1234
Fax: 828-684-0858
Email: peco@lawnvac.com
Website: www.lawnvac.com